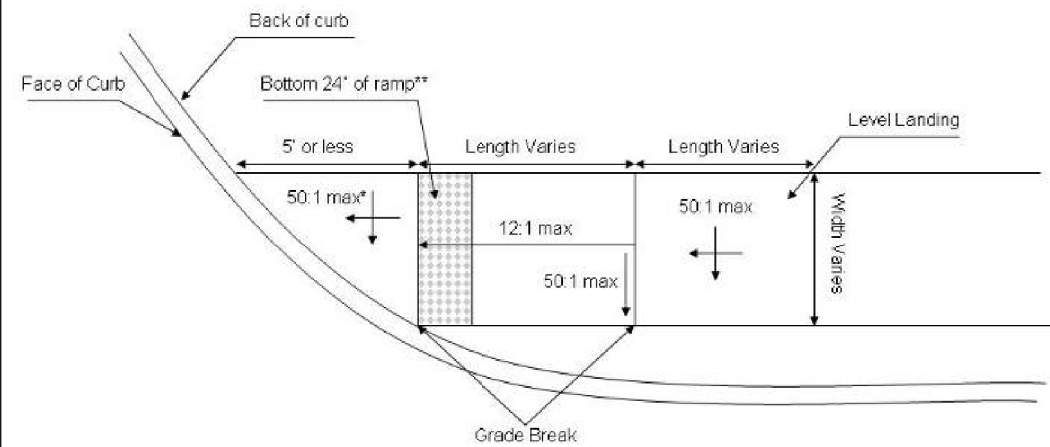


FED. ROAD DIST. NO.	STATE	JOB PIECE NO.	FISCAL YEAR	SHEET NO.	TOTAL SHEETS
6	OKLA.				

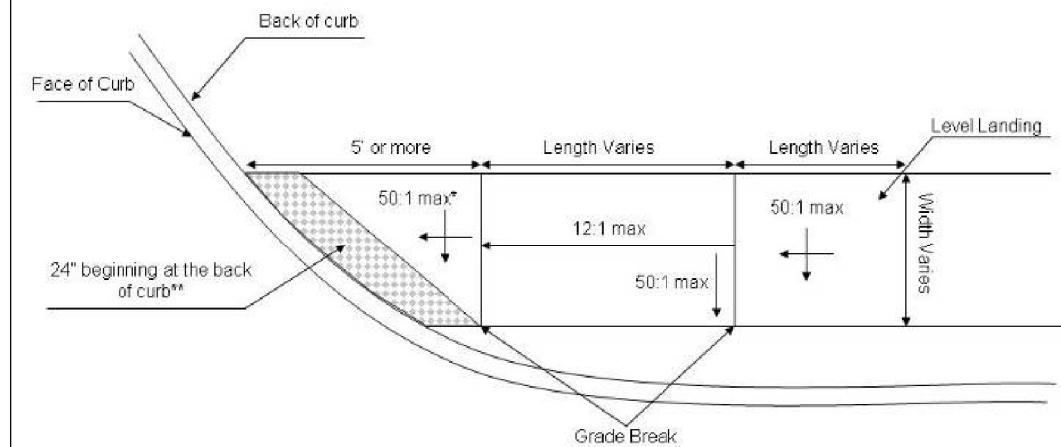
DESCRIPTION	REVISIONS	DATE

Detail Parallel Type B Curb Ramp (modified)



* 50:1 maximum cross slope in all directions includes tangent gutter section
 ** Detectable Warnings (domes) must be oriented parallel to path of travel.

Detail Parallel Type B Curb Ramp (modified)



* 50:1 maximum cross slope in all directions includes tangent gutter section
 ** Detectable Warnings (domes) must be oriented parallel to path of travel.

DESIGN			OKLAHOMA DEPARTMENT OF TRANSPORTATION ROADWAY DESIGN DIVISION CURB RAMP DETAIL STATE JOB NO. 218601041 SHEET NO. R003 LOGAN CO. SH-33
DRAWN	LL		
CHECKED			
APPROVED			
SQUAD	GREEN		